



PERSIMMON

Drawing Title
Construction Detail
Fire Door Structural Opening Sizes

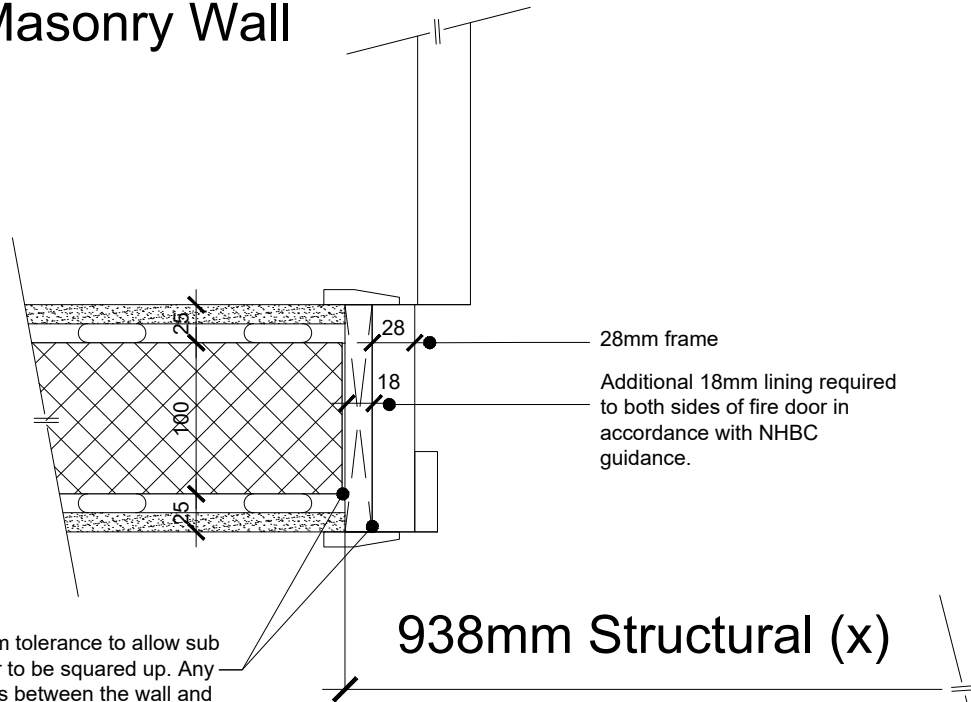
Rev.	Description
A	18mm Ply lining increased to full width of door frame and plasterboard returned.
B	Structural door height added.
C	2mm tolerance note amended.
D	2mm tolerance note amended further.

Date	By
11.01.2021	AL
12.01.2021	AL
12.01.2021	AL
12.01.2021	AL

Drawing Scale	Dwg. No.
1:5 @ A4	TF-FS-7-03
Date	Rev.
07.01.20	D

Fire Door Opening Sizes (With additional 18mm Ply to sides and head of opening)		Structural opening height for 1981 door = 2039mm
Door size (mm)	Structural Opening (mm)	
838	938	1981 door + 2mm clearance + 28mm frame + 18mm ply liner + 10mm max. tolerance between underside of door and unfinished floor.
762	862	
686	786	
610	710	
533	633	

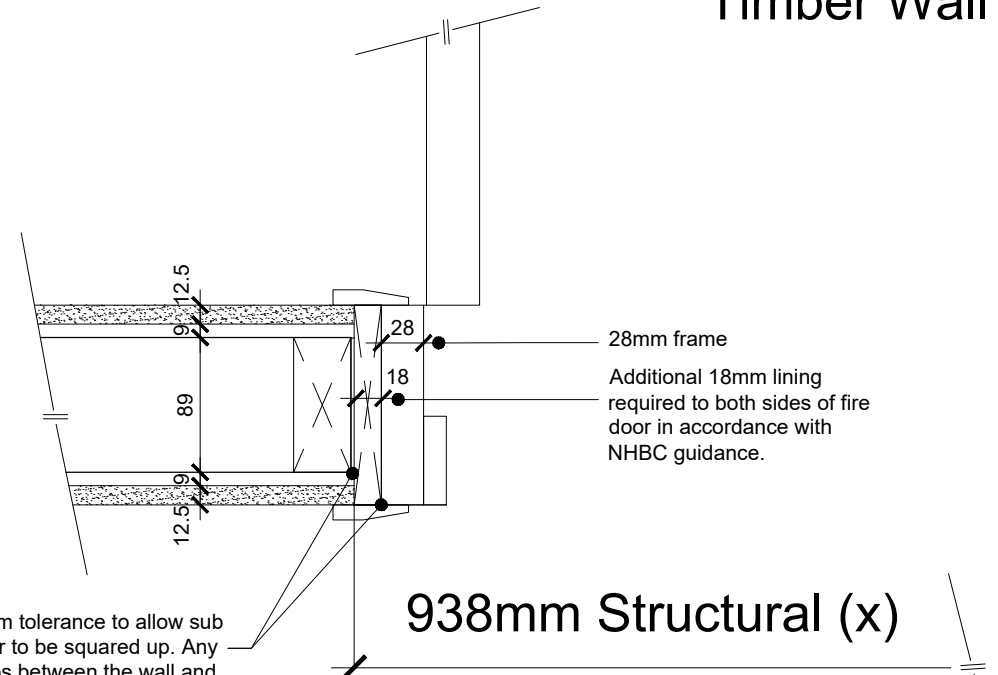
Masonry Wall



2mm tolerance to allow sub liner to be squared up. Any gaps between the wall and sub liner or between sub liner and finished door frame must be filled with mineral fibre and / or intumescent mastic.

(x) - For 838 door only, refer to table for additional structural opening sizes.

Timber Wall



2mm tolerance to allow sub liner to be squared up. Any gaps between the wall and sub liner or between sub liner and finished door frame must be filled with mineral fibre and / or intumescent mastic.

(x) - For 838 door only, refer to table for additional structural opening sizes.